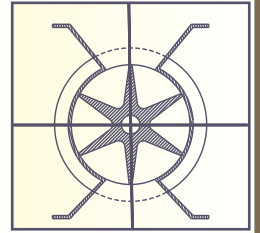


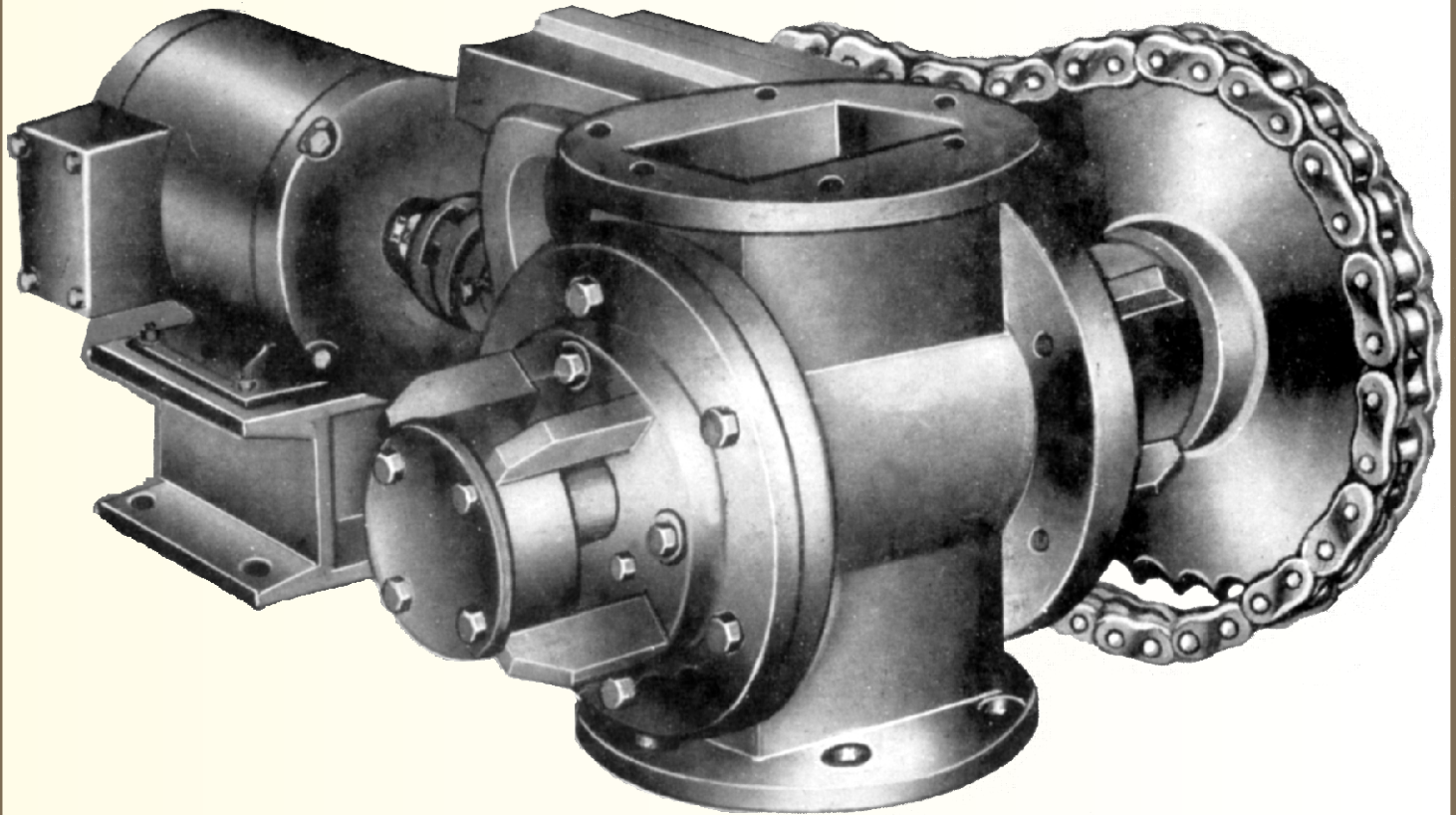
# PREMIUM ROTARY VALVES

- UNIFORM FLOW
- REGULATED OUTPUT
- S. S. CONSTRUCTION
- FOUR / SIX / EIGHT VANES
- STANDARD CONSTRUCTION
- HEAVY DUTY CONSTRUCTION

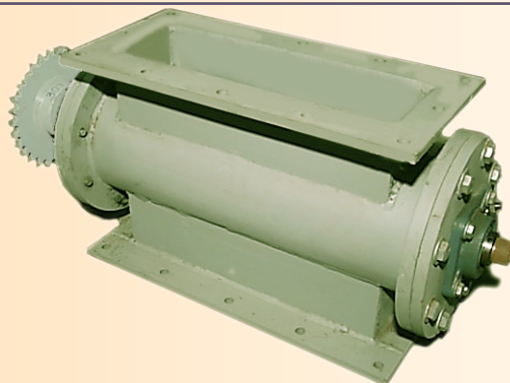
- ROTA FEEDER TYPE
- ROTARY FEEDER
- LARGE FABRICATED
- SPECIAL TYPE / SIZE
- ROTARY AIRLOCK VALVES
- ROUND / SQUARE FLANGE



## HEAVY DUTY CONSTRUCTION



STD. CONSTRUCTION



ROTA FEEDER



S.S. CONSTRUCTION

# PREMIUM ROTARY VALVES

This is the simplest form of vane feeder, which consist of a rotating pocketed rotor operating in a housing so that pockets receive material from one opening in the housing and deliver it through another. The control of material flow is obtained by regulating the speed of the rotor.

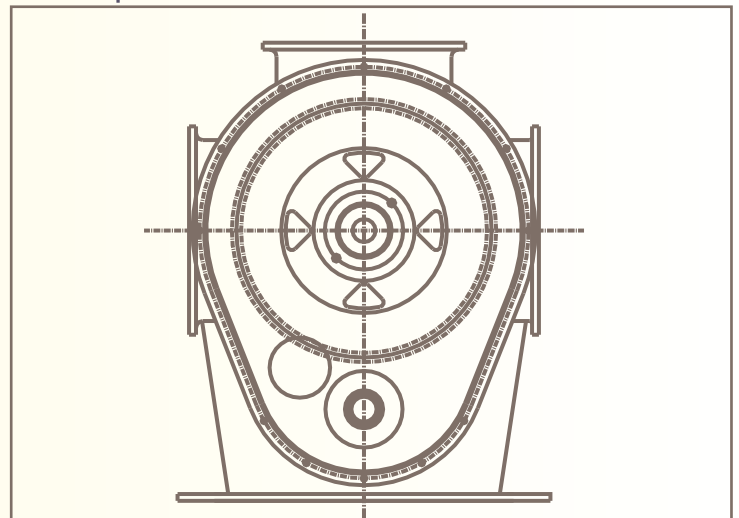
The type of valve offered by us as standard is recommended for handling fine, pulverised of granular materials, small enough in size and sufficiently friable so that lumps will not jam between the close fitting radial vanes and the housing. Material enters the housing from above and as the rotor revolves, each pocket discharges as it reaches the opening in the bottom. Clearance between the vanes and the housing is kept such that it prevents free passage of air between inlet and outlet sides of the feeder.

Side opening valves also available.

LARGE SIZE , FABRICATED PREMIUM ROTARY VALVE having CURVED(ARC) SHAPE VANES with SCRAPING CUTTER , the SCRAPER had GEAR mechanism operating with CAM so that after SCRAPPING the INNER CURVED PORTION, automatically it will retreat so it does not get stuck with VANES of Valve and reenters the POCKET in predetermine time period. to CLEAN the INNER SIDE was designed , manufactured and supplied to D.C.W. Dhrangadhra for SODA ASH PLANT for D E T E R G E N T application .

## SPECIAL FEATURES OF 'PREMIUM' ROTARY VALVES

- (1) Body of close grained cast iron or Fabricated from M. S. Amply proportioned to provide adequate strength and rigidity.
- (2) Rotor of M. S. With shaftends machined accurately and mounted on anti - friction bearings.
- (3) Rotor vane edges machined and fitted with Special fibre lining to provide close fit between housing and rotor.
- (4) Rotor speed regulated to give rated output considering the system efficiency.
- (5) S.S. Construction can be offered on request.



## TECHNICAL SPECIFICATIONS

MODEL	POWER HP	Dia. Of the Body (I.D. In mm)	OVER - ALL DIMENSIONS IN MM OPENING SIZE			Capacity Tonnes/Hr. 0.6 B/D
			Length	Breadth	Height	
PRV - 0	½	105	120	75	250	0.6
PRV - 00	½	150	160	115	325	2
PRV - 1	½	210	200	150	400	5
PRV - 2	1	265	250	175	450	10
PRV - 3	1	315	300	195	500	18
PRV - 4	1.5	400	400	270	550	38
PRV - 5	1.5	450	450	300	600	57
PRV - 6	2.0	500	625	315	670	80

Specification & design are subject to change without notice for any additional improvement

**Note :**

- (1) The capacities given above are based on Cattle Feed having density 0.6 gm/cc and will vary depending upon actual material handled.
- (2) The specifications given above are subject to change without prior notice due to improvements in design made from time to time.
- (3) Tailor made equipment can also be offered.
- (4) higher capacity Rotary valve also can be offered.

**Manufactured By:**

# PRECISION PRODUCTS



Plot No. 2009, Phase-IV, GIDC Industrial Estate, Vatva, AHMEDABAD - 382 445. INDIA  
 Phone : (079) 25830836, 25831440 Fax : (079) 25830965  
 E-mail : [exports@premiumpulverisers.com](mailto:exports@premiumpulverisers.com) / [exports@premiumpulverisers.com](mailto:exports@premiumpulverisers.com)  
 Visit us : [www.premiumpulverisers.com](http://www.premiumpulverisers.com) / [www.premiumengineers.com](http://www.premiumengineers.com)



**PROFESSIONALS IN PARTICLE TECHNOLOGY**